




## ASSEMBLY INSTRUCTIONS THE DUO

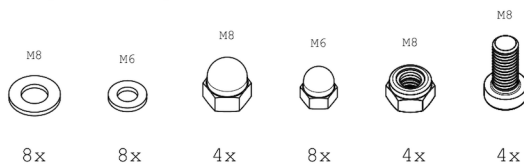
### REQUIRED

- A pair of scissors
- Nut wrench 10 mm 
- Nut wrench 13 mm 
- Hex key 5 mm 
- A soft surface, e.g., rug, towel, ...

### IN THE PACKAGE

- Assembly instructions - 1 piece
- Seat top - 2 pieces
- Seat leg - 2 pieces
- Table top - 1 piece
- Table leg - 1 piece
- Bag with fasteners

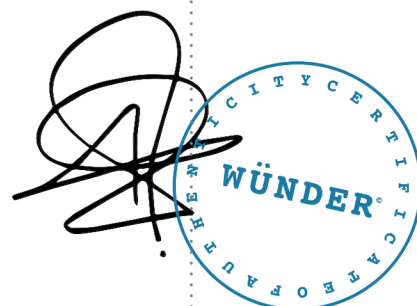
### FASTENERS



### GET IN TOUCH

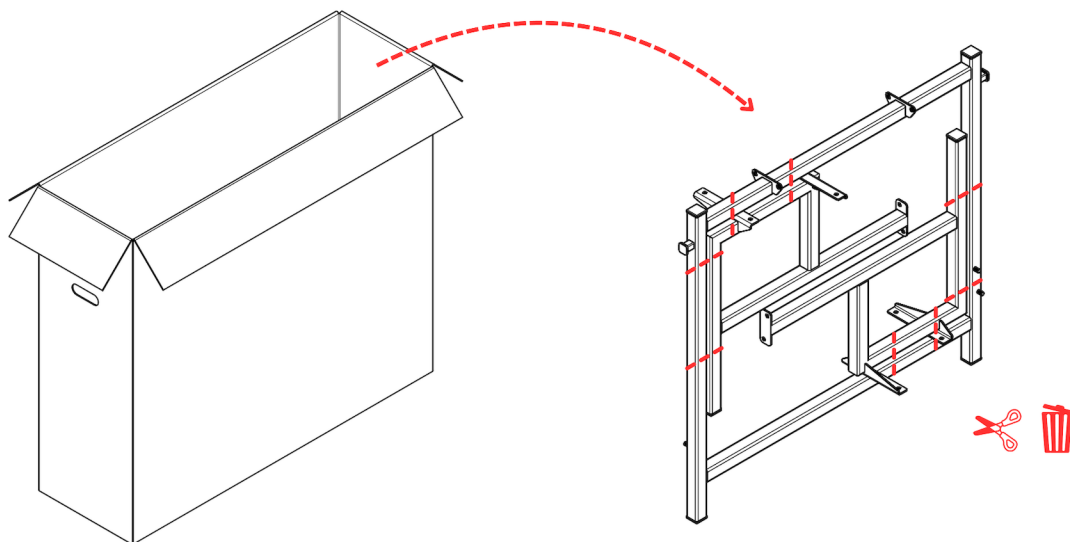
Questions, comments or suggestions regarding our products or our website? Feel free to get in touch with us!

Wünder - Ovenhoek 5, 8800 Roeselare, Belgium  
+32 51 79 17 31 - info@wunder.be



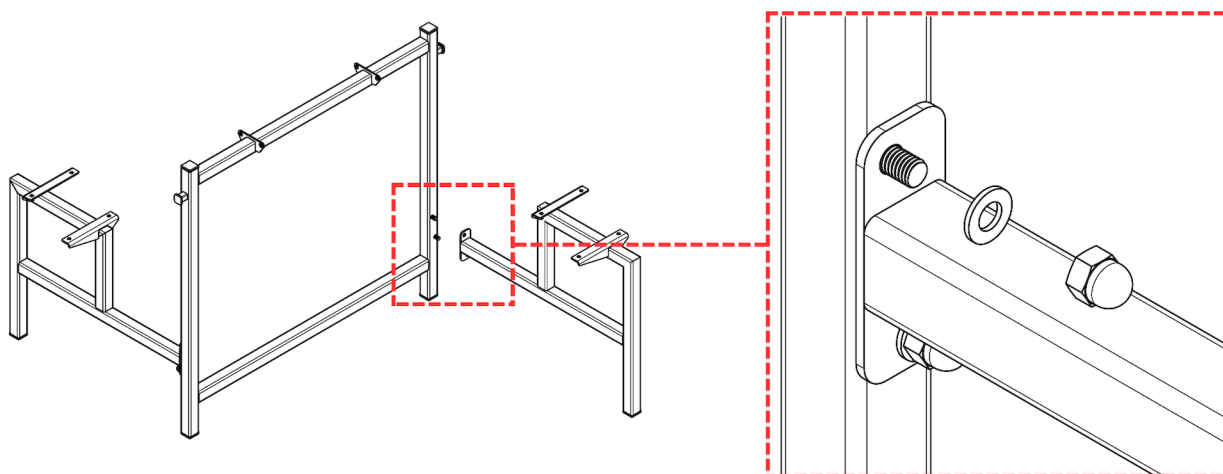
## 01

- Carefully take the base parts of The Duo out of the box.
- Use scissors to cut the strapping loose.
- Check the content of the box with the quantities listed above.



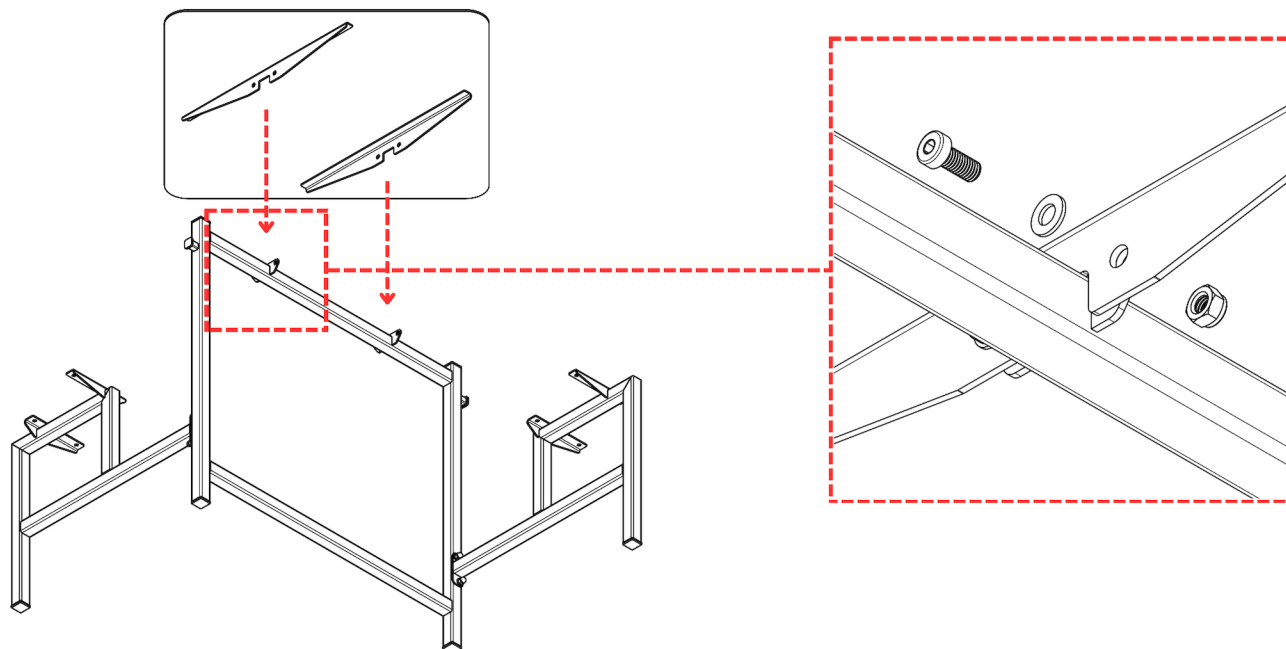
## 02

- Put the 3 parts of the base structure together as shown.
- Install the washers and M8 hexagon nuts on the threaded rods.
- Use a wrench (13 mm) to tighten the nuts firmly.



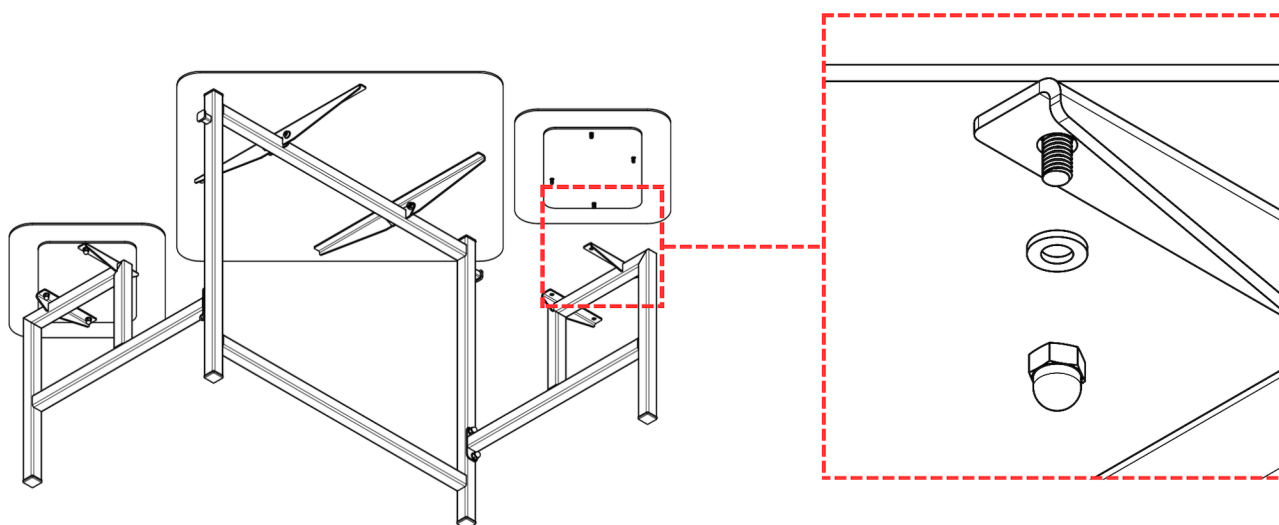
03

- Take the table top and the seat plates out of the box.
- Place the table top onto the base structure as shown.
- Install the M8 bolts, the washers and the M8 locking nuts.
- Use a wrench (13 mm) and a hex key (5 mm) to tighten the nuts firmly.



04

- Place one seat plate onto the base structure as shown.
- Install the M6 bolts and washers, tighten them firmly with a wrench (10 mm).
- Repeat the process for the other seat plate.



# WÜNDER®

.....

**info@wunder.be**  
**+32 (0) 51 79 17 31**

..... **W** .....

Ovenhoek 5  
B-8800 Roeselare  
www.wunder.be



**There's more** - Wunder is growing and thriving. So be sure to keep an eye on our website, Instagram and Facebook and be the first to discover our latest creations.

Got a wild idea? Feel free to let us hear from you. We love collabs!